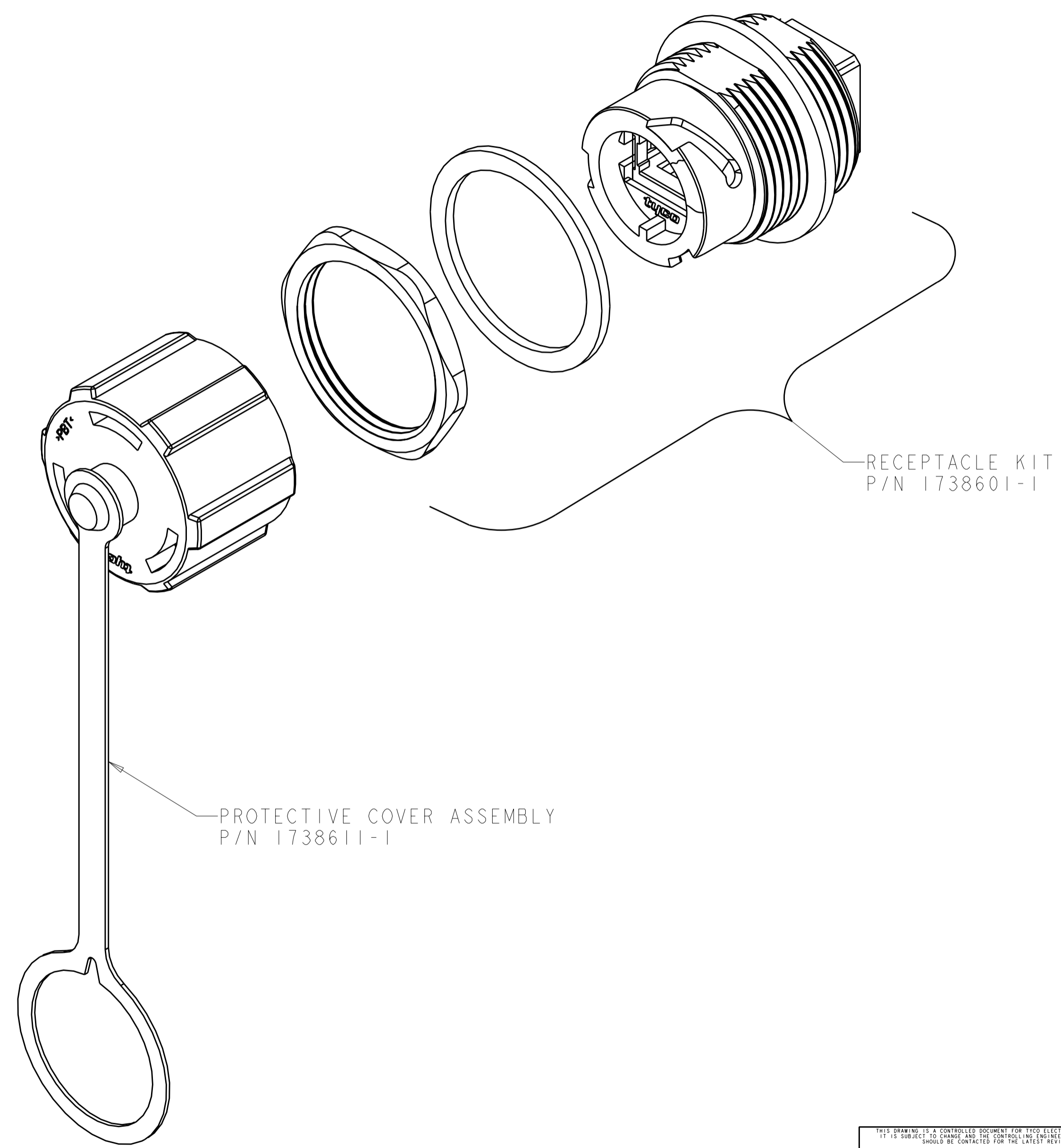


THIS DRAWING IS UNPUBLISHED. RELEASED FOR PUBLICATION 20
 © COPYRIGHT 20 BY TYCO ELECTRONICS CORPORATION. ALL RIGHTS RESERVED.

LOC		DIST		REVISIONS			
P	LTR	DESCRIPTION	DATE	DWN	APVD		
	A	RELEASED	26SEP2007	SW	MS		



1986280-1
 PART NUMBER

<small>THIS DRAWING IS A CONTROLLED DOCUMENT FOR TYCO ELECTRONICS CORPORATION. IT IS SUBJECT TO CHANGE AND THE CONTROLLING ENGINEERING ORGANIZATION SHOULD BE CONTACTED FOR THE LATEST REVISION.</small>		DWN S. WELDON 26SEP2007 CHK M. STRECKEWALD 26SEP2007 APVD M. STRECKEWALD 26SEP2007	Tyco Electronics Harrisburg, PA 17105-3608
DIMENSIONS: mm	TOLERANCES UNLESS OTHERWISE SPECIFIED: 0 PLC ± 1 PLC ±0.5 2 PLC ±0.13 3 PLC ±0.013 4 PLC ±0.0001 ANGLES ± FINISH	PRODUCT SPEC APPLICATION SPEC WEIGHT	NAME RECEPTACLE KIT, WITH PROTECTIVE COVER, INDUSTRIAL CIRCULAR ETHERNET SIZE CAGE CODE DRAWING NO RESTRICTED TO A200779 C-1986280 -
MATERIAL		CUSTOMER DRAWING	SCALE 2:1 SHEET 1 OF 1 REV A